

GSAT Series motorized Iron Hand™ - Model 420

Power: 80W
 Maximum Load: 40KG
 Applying the Digital Positioning Technology, the tolerance in positioning is less than 2mm



For places like Dining Halls, Exhibition Center, Showrooms, Stage and Malls with high ceiling, the GSAT series motorized Iron Hand is a perfect match for hanging audiovisual equipment, monitor equipment, banners and other high ceiling decorations. All these devices can be lowered down to present position when needed and recessed in ceiling after to maintain the clean and tidy of decoration.



Multi-Core Driven with Rigid Lifting System integrated inside a tiny physical body, the operation is smooth and stable with low noise while convenient to install



Adaptable for different audiovisual equipment such as LCD, Truss, Line Array Speakers, Projectors and Banners.



To avoid potential dangers caused by power leak during the process of operation, the Iron Hand offers tracks with locks alongside the arms which allows the cable to run synchronously without interception



Optional with Free Adjusting Connection or Heavy Duty Connection



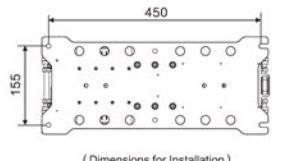
Gear locking system inbuilt each hinge to avoid risk on dropping accidentally



Integrated Control system including RF Remote, LVC and RS485 Control, multiple Iron Hands can communicate with each other through RS485



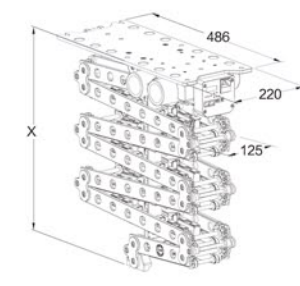
Multi-Core Driven with Rigid Lifting System integrated inside a tiny physical body, the operation is smooth and stable with low noise while convenient to install



(Dimensions for Installation)

Use M8 penetrate screw bars to hang the casing on the concrete ceiling or steel structure

Maximum Load: 40KG			
Model	Configuration	Extension Height	Retraction Height
GSAT-3403	IRON HAND with two full arms	464	163
GSAT-3406	IRON HAND with three full arms	804	203
GSAT-3410	IRON HAND with four full arms	1140	243
GSAT-3413	IRON HAND with five full arms	1480	283
GSAT-3417	IRON HAND with six full arms	1820	323
GSAT-3420	IRON HAND with seven full arms	2160	363
GSAT-3423	IRON HAND with eight full arms	2500	403
GSAT-3427	IRON HAND with nine full arms	2840	443
GSAT-3430	IRON HAND with ten full arms	3180	483
GSAT-3434	IRON HAND with eleven full arms	3520	523



(3D Sketch)

GSAT Series motorized Iron Hand™ - Model 580

Power: 80W
 Maximum Load: 40KG
 Applying the Digital Positioning Technology, the tolerance in positioning is less than 2mm



Multi-Core Driven with Rigid Lifting System integrated inside a tiny physical body, the operation is smooth and stable with low noise while convenient to install



Adaptable for different audiovisual equipment such as LCD, Truss, Line Array Speakers, Projectors and Banners.



To avoid potential dangers caused by power leak during the process of operation, the Iron Hand offers tracks with locks alongside the arms which allows the cable to run synchronously without interception



Optional with Free Adjusting Connection or Heavy Duty Connection



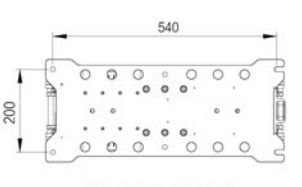
Gear locking system inbuilt each hinge to avoid risk on dropping accidentally



Integrated Control system including RF Remote, LVC and RS485 Control, multiple Iron Hands can communicate with each other through RS485



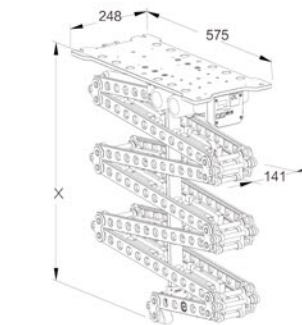
Multi-Core Driven with Rigid Lifting System integrated inside a tiny physical body, the operation is smooth and stable with low noise while convenient to install



(Dimensions for Installation)

Use M8 penetrate screw bars to hang the casing on the concrete ceiling or steel structure

Maximum Load: 40KG			
Model	Configuration	Extension Height	Retraction Height
GSAT-4504	IRON HAND with two full arms	576	164
GSAT-4508	IRON HAND with three full arms	1016	204
GSAT-4513	IRON HAND with four full arms	1456	244
GSAT-4517	IRON HAND with five full arms	1896	284
GSAT-4522	IRON HAND with six full arms	2336	324
GSAT-4526	IRON HAND with seven full arms	2776	364
GSAT-4530	IRON HAND with eight full arms	3216	404
GSAT-4535	IRON HAND with nine full arms	3656	444
GSAT-4539	IRON HAND with ten full arms	4096	484
GSAT-4545	IRON HAND with eleven full arms	4536	524



(3D Sketch)

